

# 软管接头 Hose Fitting

---

## 旋转接头芯 Swivel Fitting

Main Power Hydraulics Machinery Co.

<http://www.mainpowerhyd.com>

明力油壓機械工程

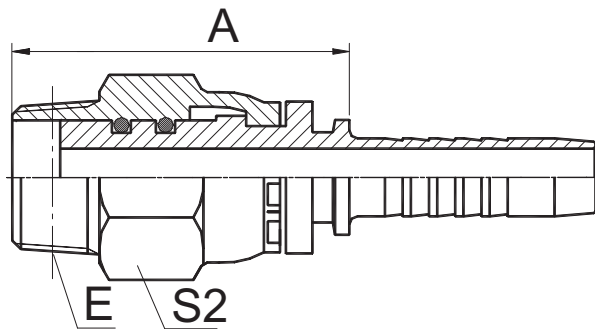
TEL:(852)2690 3509

FAX:(852)2690 3505



E-MAIL: [sales@mainpowerhyd.com](mailto:sales@mainpowerhyd.com)

# 扣压式软管接头 HOSE FITTING



**15611SW**

布锥管旋转外螺纹  
NPT SWIVEL MALE

代号 PART NO.	螺纹 E THREAD E	胶管 HOSE BORE		尺寸 DIMENSIONS			
		公称内径 DN	标号 DASH	A	S2		
15611SW-04-04	Z1/4"X18	6	04	56	19		
15611SW-06-06	Z3/8"X18	10	06	60	22		
15611SW-08-08	Z1/2"X14	12	08	66	27		
15611SW-12-12	Z3/4"X14	20	12	68.4	32		

Main Power Hydraulics Machinery Co.

<http://www.mainpowerhyd.com>

明力油壓機械工程

B-01

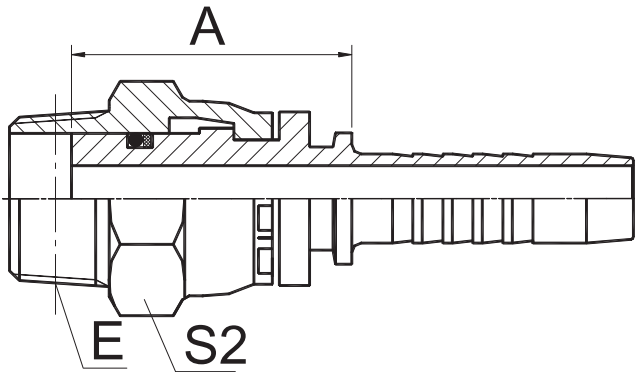
TEL:(852)2690 3509

FAX:(852)2690 3505



E-MAIL: [sales@mainpowerhyd.com](mailto:sales@mainpowerhyd.com)

# 扣压式软管接头 HOSE FITTING



## 15611SW-S

布锥管旋转外螺纹  
NPT SWIVEL MALE

代号 PART NO.	螺纹 E THREAD E	胶管 HOSE BORE		尺寸 DIMENSIONS			
		公称内径 DN	标号 DASH	A	S2		
15611SW-04-04S	Z1/4"X18	6	04	27.9	19		
15611SW-06-06S	Z3/8"X18	10	06	27	22		
15611SW-08-08S	Z1/2"X14	12	08	30.9	27		
15611SW-12-12S	Z3/4"X14	20	12	33.4	32		

Main Power Hydraulics Machinery Co.

<http://www.mainpowerhyd.com>

明力油壓機械工程

B-02

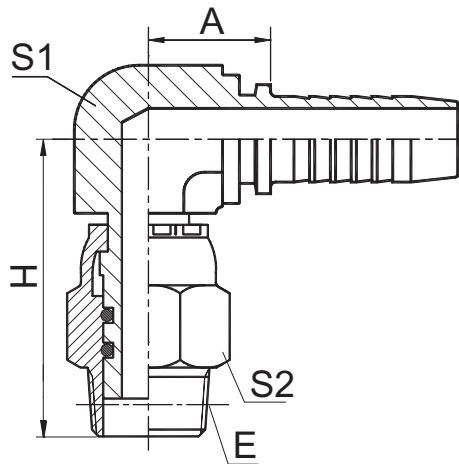
TEL:(852)2690 3509

FAX:(852)2690 3505



E-MAIL: [sales@mainpowerhyd.com](mailto:sales@mainpowerhyd.com)

# 扣压式软管接头 HOSE FITTING



## 15691KSW

90° 布锥管旋转外螺纹  
90° NPT SWIVEL MALE

代号 PART NO.	螺纹 E THREAD E	胶管 HOSE BORE		尺寸 DIMENSIONS				
		公称内径 DN	标号 DASH	A	H	S1	S2	
15691KSW-04-04	Z1/4"X18	6	04	25	59.5	16	19	
15691KSW-06-06	Z3/8"X18	10	06	25	64.5	16	22	
15691KSW-08-08	Z1/2"X14	12	08	28.5	71.5	19	27	
15691KSW-12-12	Z3/4"X14	20	12	36	76.9	27	32	

Main Power Hydraulics Machinery Co.

<http://www.mainpowerhyd.com>

明力油壓機械工程

B-03

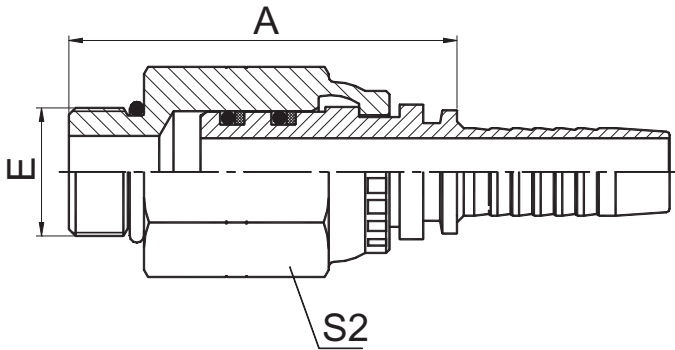
TEL:(852)2690 3509

FAX:(852)2690 3505



E-MAIL: [sales@mainpowerhyd.com](mailto:sales@mainpowerhyd.com)

# 扣压式软管接头 HOSE FITTING



## 16011SW

SAE 带 O 形圈旋转外螺纹  
SAE O-RING BOSS SWIVEL MALE

代号 PART NO.	螺纹 E THREAD E	胶管 HOSE BORE		O 形圈 O RING	尺寸 DIMENSIONS			
		公称内径 DN	标号 DASH		A	S2		
16011SW-08-06	3/4"x16	10	06	O908	57.5	27		
16011SW-08-08	3/4"x16	12	08	O908	58	27		
16011SW-10-08	7/8"x14	12	08	O910	59.5	27		
16011SW-10-10	7/8"x14	16	10	O910	60.1	27		
16011SW-12-12	1.1/16"x12	20	12	O912	64.9	32		

Main Power Hydraulics Machinery Co.

<http://www.mainpowerhyd.com>

明力油壓機械工程

B-04

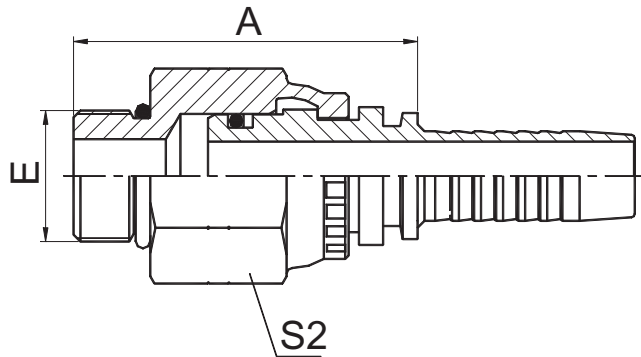
TEL:(852)2690 3509

FAX:(852)2690 3505



E-MAIL: [sales@mainpowerhyd.com](mailto:sales@mainpowerhyd.com)

# 扣压式软管接头 HOSE FITTING



## 16011SW-S

SAE 带 O 形圈短身旋转外螺纹  
SAE O-RING BOSS SWIVEL MALE

代号 PART NO.	螺纹 E THREAD E	胶管 HOSE BORE		尺寸 DIMENSIONS			
		公称内径 DN	标号 DASH	A	S2		
16011SW-08-06S	3/4"x16	10	06	49.9	27		
16011SW-08-08S	3/4"x16	12	08	50.4	27		
16011SW-10-08S	7/8"x16	12	08	51.9	27		
16011SW-10-10S	7/8"x16	16	10	52.5	27		
16011SW-12-12S	1.1/16"x12	20	12	57.3	32		

Main Power Hydraulics Machinery Co.

<http://www.mainpowerhyd.com>

明力油壓機械工程

B-05

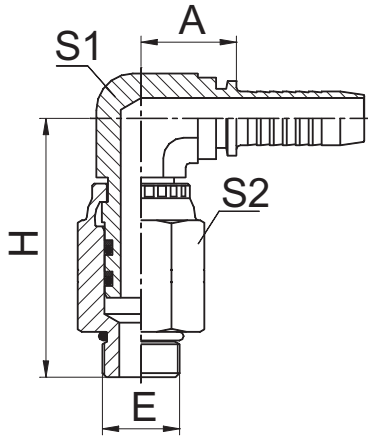
TEL:(852)2690 3509

FAX:(852)2690 3505



E-MAIL: [sales@mainpowerhyd.com](mailto:sales@mainpowerhyd.com)

# 扣压式软管接头 HOSE FITTING



## 16091KSW

90° SAE带O形圈旋转外螺纹  
90° SAE O-RING BOSS SWIVEL MALE

代号 PART NO.	螺纹 E THREAD E	胶管 HOSE BORE		O 形圈 O RING	尺寸 DIMENSIONS			
		公称内径 DN	标号 DASH		A	H	S1	S2
16091KSW-08-06	3/4"x16	10	06	O908	28.5	63.5	19	27
16091KSW-08-08	3/4"x16	12	08	O908	28.5	63.5	19	27
16091KSW-10-06	7/8"x14	10	06	O910	28.5	65	19	27
16091KSW-10-08	7/8"x14	12	08	O910	28.5	65	19	27
16091KSW-10-10	7/8"x14	16	10	O910	30.5	65.5	22	27

Main Power Hydraulics Machinery Co.

<http://www.mainpowerhyd.com>

明力油壓機械工程

B-06

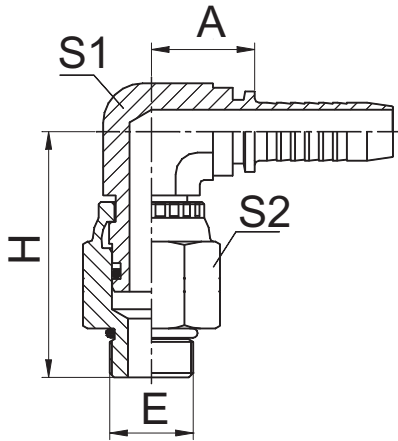
TEL:(852)2690 3509

FAX:(852)2690 3505



E-MAIL: [sales@mainpowerhyd.com](mailto:sales@mainpowerhyd.com)

# 扣压式软管接头 HOSE FITTING



## 16091KSW-S

90° SAE 带 O 形圈旋转外螺纹  
90° SAE O-RING BOSS SWIVEL MALE

代号 PART NO.	螺纹 E THREAD E	胶管 HOSE BORE		尺寸 DIMENSIONS			
		公称内径 DN	标号 DASH	A	H	S1	S2
16091KSW-08-06S	3/4"x16	10	06	23	55.9	19	27
16091KSW-08-08S	3/4"x16	12	08	23.5	55.9	19	27
16091KSW-10-06S	7/8"x16	10	06	23	57.9	19	27
16091KSW-10-08S	7/8"x16	12	08	23.5	57.9	19	27
16091KSW-10-10S	7/8"x16	16	10	25	57.9	22	27

Main Power Hydraulics Machinery Co.

<http://www.mainpowerhyd.com>

明力油壓機械工程

B-07

TEL:(852)2690 3509

FAX:(852)2690 3505



E-MAIL: [sales@mainpowerhyd.com](mailto:sales@mainpowerhyd.com)